

ATTN

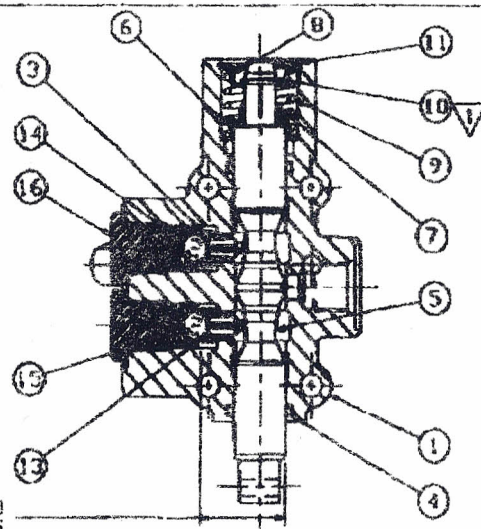
IF deck is Leaking down grind approx .005 OFF OF ITEM (13) ON END THAT CONTACTS BALL.

IF spool assembly is removed. MAKE SURE you remove the check assemblies first

Emie

NOTES:

- 1 ITEM # 10 IS A STAMPED RING IT MUST BE INSTALLED WITH THE SHARP SIDE OUT.
- 2 ITEM # 18 NAMEPLATE TO BE PERFORMED TO MATCH HOUSING RADIUS AND ATTACHED IN THIS AREA USING LUCTITE *DEPEND* ADHESIVE OR EQUIV. *BOTH BODY AND NAMEPLATE MUST HAVE THE ACTIVATOR APPLIED TO THEM*
- 3 RELIEF VALVE TO BE SET @ 1000 ± 50 PSI @ 1 GPM

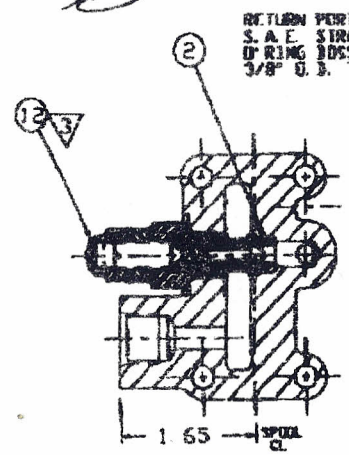


1.030
1.025
FORCE IN SEATS TO THIS DIM.

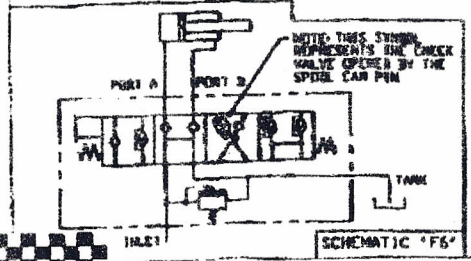
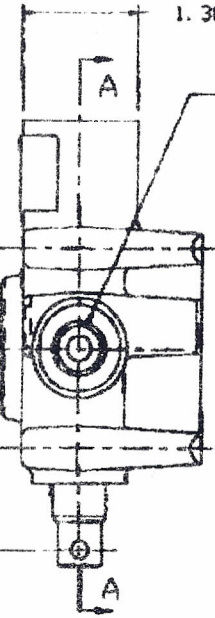
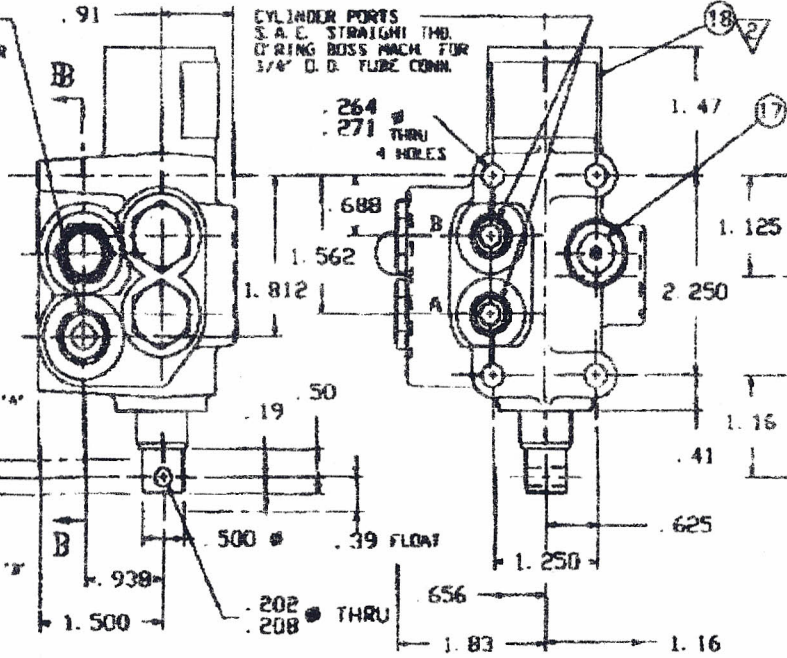
SECTION "A-A"

PARTS LIST

ITEM	DESCRIPTION	QTY	PART NO
1	BODY, VY13 W/RELIEF	1	695599
2	SEAT, RELIEF VALVE	1	586042
3	SEAT, CHECK	2	685133
4	O'RING	2	2114N-7
5	SPOOL	1	725166
6	SPRING RET. (FLOAT)	1	656859
7	SPACER (FLOAT)	1	624223
8	SPRING RETAINER	1	624222
9	SPRING	1	635357
10	SNAP RING (TRUNC 63560-37)	1	5550-37
11	SNAP RING	1	56X310
12	RELIEF VALVE ASSY	1	686051
13	CAM PIN	2	673461
14	BALL, 5/16" #	2	98X20
15	SPRING	2	655848
16	PLUG ASSY	2	865014
17	PLUG, S. A. E.	1	2HP50N-S
18	NAMEPLATE	1	655238



SECTION "B-B"



UNCONTROLLED COPY

GRAVELY # 18825
TO APPEAR ON NAMEPLATE

---	SAME NO.	REV H
---	---	---

J	182170	DESIGNED & DRAWN	DATE	SCALE	REV	BY	CHK'D
VY13F6 ASSEMBLY DWG.							
SHEET		VY13F6		J PR			